

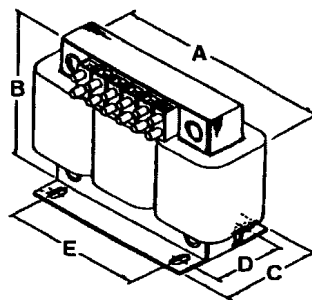
DIMENSION SHEET

Ref : 00064
Date : 19/09/03
Issue : A
Page : 1 of 1

Input/Output Reactors suitable for L300P Inverters

Case Dimensions (mm)

Hitachi Inverter	Suitable Choke	A	B	C	D	E	Weight in Kg
L300P 110 HFE	RL02502	183	147	89	60	76	6.4
L300P 150 HFE	RL03502	183	147	102	70	76	7.3
L300P 185 HFE	RL04502	229	188	119	80	76	13.0
L300P 220 HFE	RL04502	229	188	119	80	76	13.0
L300P 300 HFE	RL05502	229	178	135	80	76	12.0
L300P 370 HFE	RL08002	274	216	165	88	92	23.0
L300P 450 HFE	RL08002	274	216	165	88	92	23.0
L300P 550 HFE	RL10002	279	216	170	93	92	23.0
L300P 750 HFE	RL13002	274	216	172	93	92	28.0
L300P 900 HFE	RL20003	274	216	254	150	92	46.0
L300P 1100 HFE	RL20003	274	216	254	150	92	46.0
L300P 1320 HFE	RL25002	381	290	286	148	117	65.0



HID LTD

Vantage House, Harfreys Road, Great Yarmouth, Norfolk, NR31 0LS
Tel: 01493 442525 Fax: 01493 442323 Email: sales@hid.co.uk Website: www.hid.co.uk