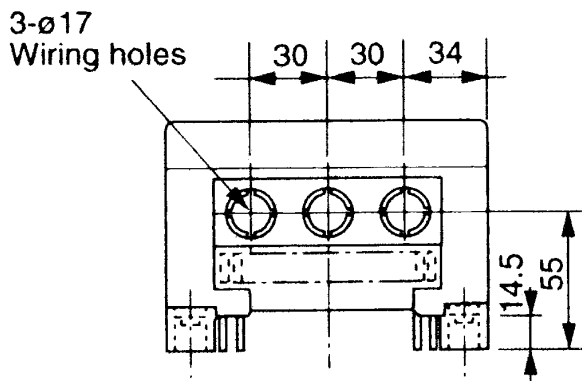
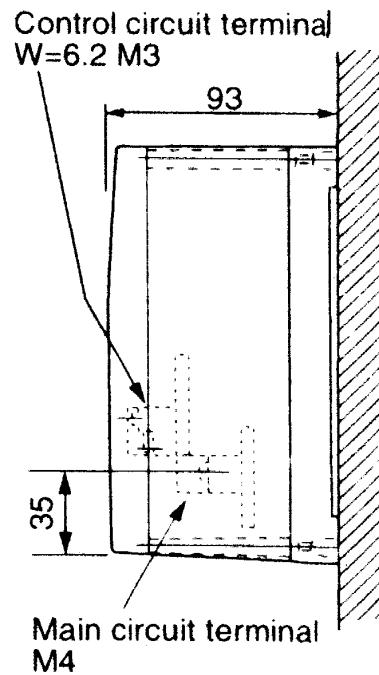
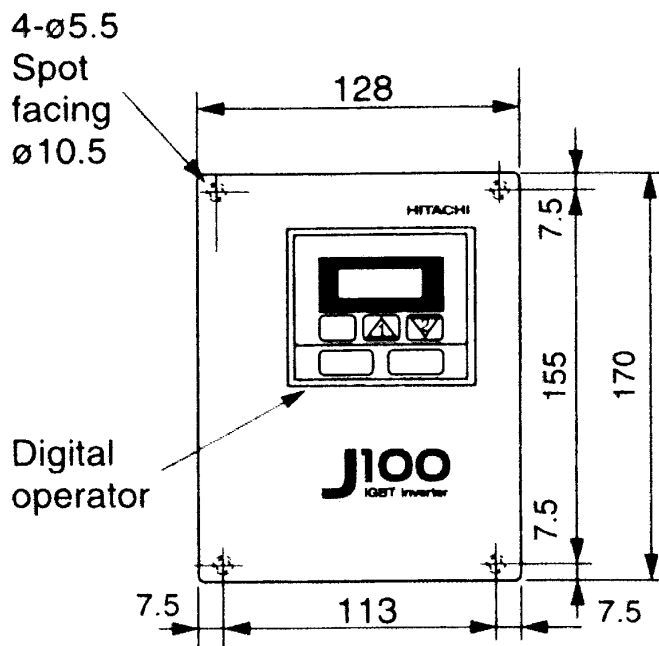


# DIMENSION SHEET

Ref : 0005  
Date : 11/06/02  
Issue : B  
Page : 1 of 1

Inverter Model No: J100 004 SFE



HID LTD

Vantage House, Harfreys Road, Great Yarmouth, Norfolk, NR31 0LS  
Tel: 01493 442525 Fax: 01493 442323 Email: sales@hid.co.uk Website: www.hid.co.uk